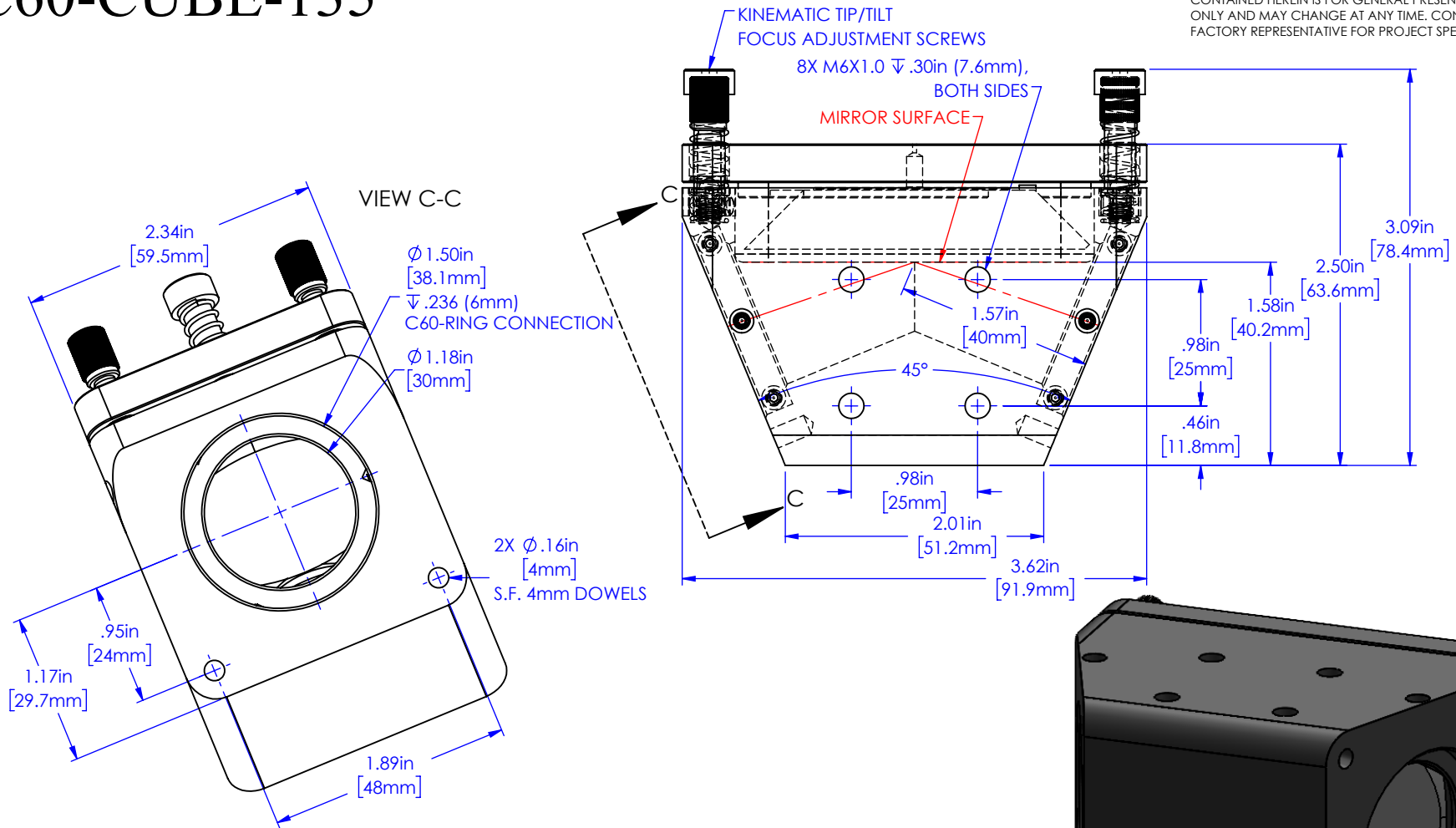


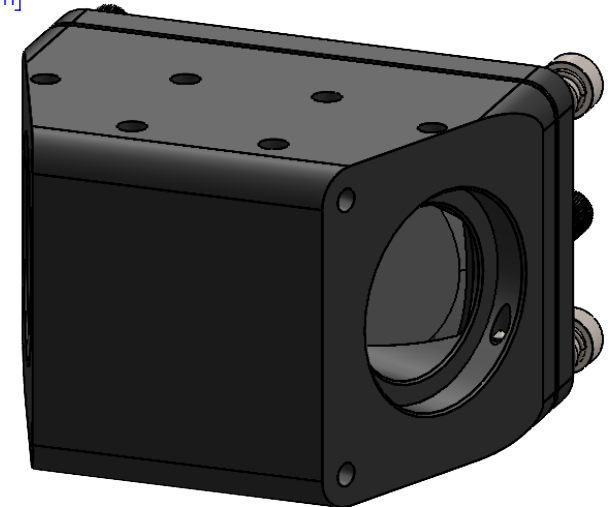
C60-CUBE-135

THIS DRAWING AND ALL DATA INCLUDED IS THE PROPERTY OF APPLIED SCIENTIFIC INSTRUMENTATION AND THE INFORMATION CONTAINED HEREIN IS FOR GENERAL PRESENTATION PURPOSES ONLY AND MAY CHANGE AT ANY TIME. CONTACT ASI OR A FACTORY REPRESENTATIVE FOR PROJECT SPECIFIC ENGINEERING.



NOTES:

1. OPTICAL PATH LENGTH AT NOMINAL: 80.0mm
2. STANDARD ELLIPTICAL MIRROR: 47.63mm MINOR AXIS, λ/8, PROTECTED SILVER
3. MIRROR POSITION ADJUSTMENT: 0: ±1.0° Z: ±1mm
4. MAXIMUM CLEAR APERTURE AT NOMINAL: 23mm



PROPRIETARY AND CONFIDENTIAL
 THE INFORMATION CONTAINED IN THIS DRAWING IS THE SOLE PROPERTY OF APPLIED SCIENTIFIC INSTRUMENTATION. ANY REPRODUCTION IN PART OR AS A WHOLE WITHOUT THE WRITTEN PERMISSION OF APPLIED SCIENTIFIC INSTRUMENTATION IS PROHIBITED.

APPLIED SCIENTIFIC INSTRUMENTATION
 29391 W ENID RD
 EUGENE, OR 97402-9533
 PHONE: (541)461-8181
 FAX: (541)461-4018

UNLESS OTHERWISE SPECIFIED
 DIMENSIONS ARE IN INCHES
 .xx ± .01
 .xxx ± .005
 .xxxx ± .0002
 FRACTIONS ± 1/32
 ANGLES ± 1°

DESCRIPTION

MIRROR CUBE REFLECTS AT 135°,
 EXTERNALLY ADJUSTABLE,
 MIRROR INCLUDED, 80 mm OPTICAL PATH LENGTH

DRAWN BY/DATE

M.ANTHONY 1/31/23

CHECKED BY/DATE

V.MARSO 1/31/23

SCALE

1:1.25

REV

-

MATERIAL

BLK ANODIZED ALUM

DRAWING #

C60-CUBE-135